

# Flexi-Hex Eco Packaging

**MAKING SURE THAT YOUR  
PRODUCT ARRIVES PERFECT!**



**Windmill  
Printing™**

# Flexi-Hex Packaging

**MAKING SURE THAT YOUR PRODUCT ARRIVES PERFECT!**

We're delighted to present an aesthetic and innovative new solution for the safe shipping of premium bottles. Manufactured by Flexi-Hex, the system comprises a Protective Sleeve which expands to form an impact resistant protective honeycomb layer around a bottle, and a self-sealing pinch top postal box, which further protects by suspending your bottle and preventing movement during transit.



**Mini Sleeve**

- Our renowned honeycomb sleeve protects bottles up to 750ml in transit



**Single Pinch Top Box**

- A top-selling postal box designed to protect one bottle in transit
- Needs one Mini Sleeve to complete solution



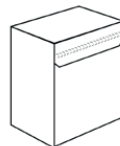
**Double Pinch Top Box**

- Postal box to protect two bottles in
- Needs two Mini Sleeves to complete solution



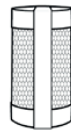
**Triple Pinch Top Box**

- Postal box to protect three bottles in transit
- Needs three Mini Sleeves to complete solution



**6 Bottle Box**

- 6 bottle postal box designed primarily for the wine industry
- Needs seven Mini Sleeves to complete solution



**Drum Capsule**

- Designed for shorter, wider bottles often used for spirits
- Needs one Mini Sleeve, two caps and one paper wrap to complete solution



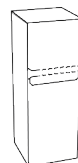
**Slender Capsule**

- Needs one Mini Sleeve, one cap and one paper wrap to complete solution



**Air Sleeve**

- Designed for smaller, more fragile items and are available in 4 sizes.



**Fold Top Boxes**

- Similar to the pinch top boxes, the top of these boxes are square, making them ideal for bottles already boxed or for larger bottles. Available for single, double or triple.



We've created a pricelist for the most popular products, however if you'd like prices for any Flexi-Hex products not listed here, please contact us using the contact details at the bottom of this page.

UNBRANDED	DESCRIPTION	MOQ	100+	500+	1,000+
	Mini Sleeve	100	£0.49	£0.47	£0.45
	Single Pinch Top	100	£0.74	£0.71	£0.68
	Double Pinch Top	100	£1.06	£1.03	£0.98
	Triple Pinch Top	100	£1.38	£1.35	£1.32
	6 Bottle Box	20	£2.56	£2.48	£2.40
	Caps Size 110mm	100	£0.67	£0.63	£0.58
	Caps Size 120mm	100	£0.69	£0.65	£0.60
	Caps Size 130mm	100	£0.73	£0.69	£0.65
	Wrap/Band	100	£0.21	£0.19	£0.17

Below prices for printing 1 side only, and are in addition to the above costs. Please contact us for costs for 2 sided printing.

BRANDED	DESCRIPTION	MOQ	200+	300+	500+	1,000+
	Sleeve	200	£0.52	£0.50	£0.47	£0.45
	Single Pinch Top	200	£0.90	£0.84	£0.77	£0.68
	Double Pinch Top	200	£0.90	£0.84	£0.77	£0.68
	Triple Pinch Top	200	£0.90	£0.84	£0.77	£0.68
	6 Bottle Box	200	£0.90	£0.84	£0.77	£0.68
	Wrap/Band	200	£0.28	£0.26	£0.24	£0.18



## Easy to Assemble

**Flexi-Hex sleeves do not require any machinery to inflate and are an efficient alternative to products such as inflated plastic sleeves, corrugated fitments, EPS, foam and pulp packaging.**

The sleeve simply slots over the bottle in a matter of seconds while the boxes have been designed with speed in mind; they all have glued crash-lock bases and peel and seal strips, ensuring no tape is needed in the construction of Flexi-Hex's packaging solutions.

Flexi-Hex is suitable for large scale fulfilment operations with a packing time of less than 20 seconds per bottle.

---

## Plastic Free & Recyclable

**Growth in e-commerce caused by Covid, along with escalating pressure from consumers to deliver products more sustainably makes it more important than ever for brands to consider their packaging presentation.**

Flexi-Hex's protective sleeves offer a premium gifting experience through the post that can be relied on to deliver valuable products sustainably, beautifully and damage-free.

Flexi-Hex is made from paper alone while the glue and inks are water-based, making it not only household recyclable but also compostable and biodegradable.

---

## Compact & Flexible

**Flexi-Hex sleeves can expand up to 35 times their compact size, making them hugely adaptable to protect products across a range of applications and industries.**

Due to its flexible nature, the sleeve will take on the shape and form of the bottle placed within ensuring maximum protection and minimal wasted air space. Their packaging solutions have proven to work for 95% of the drinks industry regardless of the bottle's shape.

---

## Protective

The Pinch Top Box has passed the following drop tests:

- > **EU - 1 drop at 1.2m**
- > **ISTA - 17 drops at 1m**

It's also been tested for atmospheric conditions, shock and vibrations.

All Flexi-Hex products have passed unofficial drop tests of 4m.

Flexi-Hex customers have reduced breakage rates from double figures to less than 1%. Many have reported no breakages at all since switching to Flexi-Hex and therefore seen reduced costs in breakages and returns as well as increased customer satisfaction and loyalty.

---

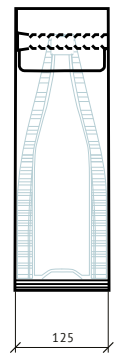
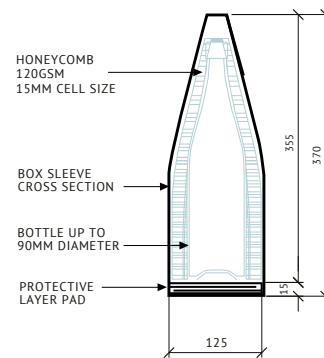
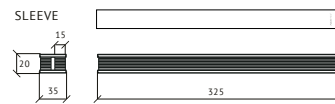
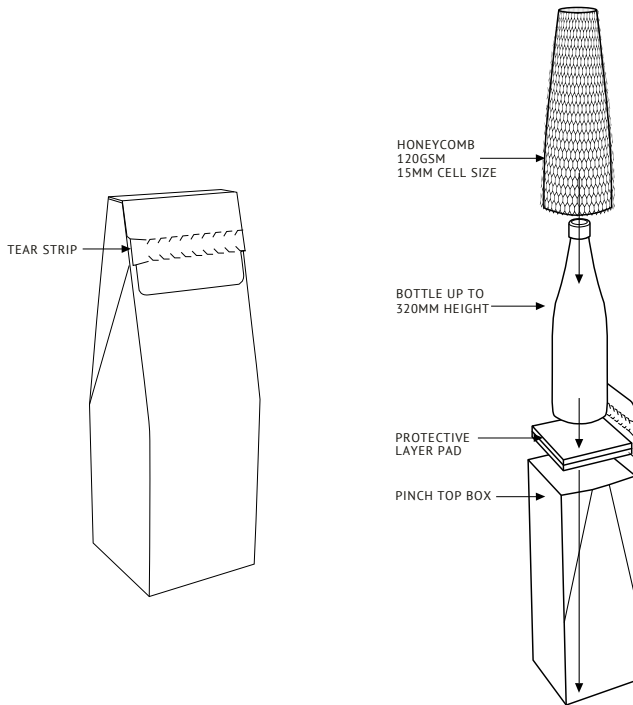


# Single Pinch Top Box

The most popular product in our range, the Pinch Top eco-packaging kit is comprised of two parts.

Our renowned Flexi-Hex sleeve, which moulds to the bottle shape creating an impact resistance, honeycomb layer around the bottle. And, the self-sealing pinch top box that further protects the bottle by preventing movement in transit with a tape-free protective layer pad base.

TECHNICAL SPECIFICATIONS	
<b>Complete Unit</b>	370mm H x 125mm W x 125mm D
<b>Sleeve Unit (x1)</b>	330mm H x 35mm W x 20mm D
<b>Expanded Sleeve</b>	Min 30mm - Max 300mm
<b>Box External</b>	370mm H x 125mm W x 125mm D
<b>Box Internal</b>	340mm H x 120mm W x 120mm D
<b>Carrying Load</b>	1.5KG



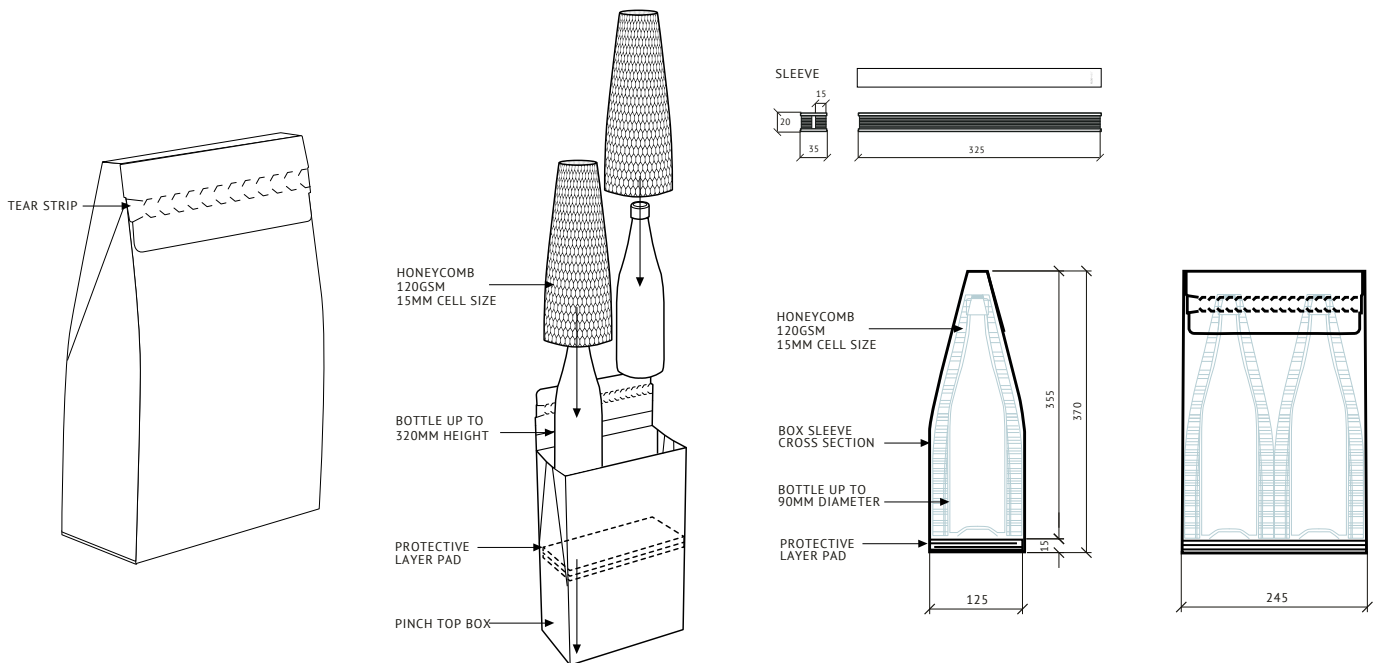
# Double Pinch Top Box

The most popular product in our range, the Pinch Top eco-packaging kit is comprised of two parts.

Our renowned Flexi-Hex sleeve, which moulds to the bottle shape creating an impact resistance, honeycomb layer around the bottle. And, the self-sealing pinch top box that further protects the bottle by preventing movement in transit with a tape-free protective layer pad base.

## TECHNICAL SPECIFICATIONS

<b>Complete Unit</b>	370mm H x 245mm W x 125mm D
<b>Sleeve Unit (x2)</b>	330mm H x 35mm W x 20mm D
<b>Expanded Sleeve</b>	Min 30mm - Max 300mm
<b>Box External</b>	370mm H x 245mm W x 125mm D
<b>Box Internal</b>	340mm H x 240mm W x 120mm D
<b>Carrying Load</b>	3KG

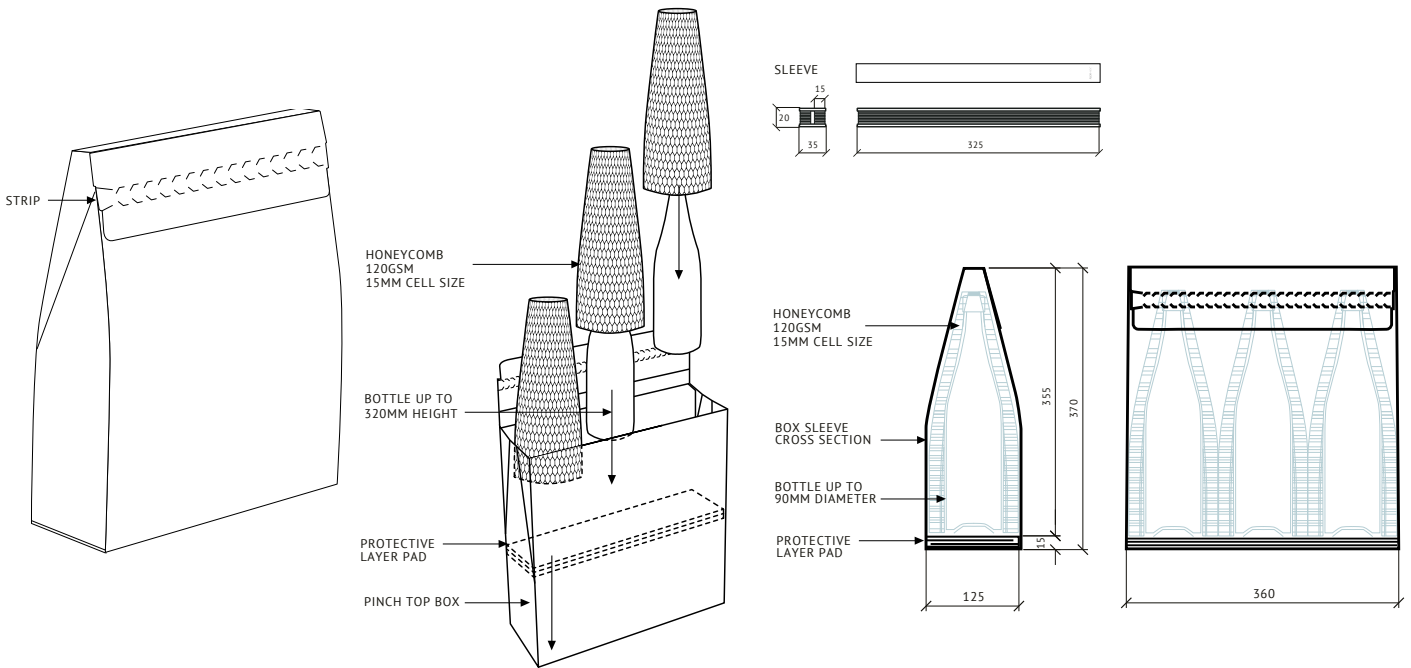


# Triple Pinch Top Box

The most popular product in our range, the Pinch Top eco-packaging kit is comprised of two parts.

Our renowned Flexi-Hex sleeve, which moulds to the bottle shape creating an impact resistance, honeycomb layer around the bottle. And, the self-sealing pinch top box that further protects the bottle by preventing movement in transit with a tape-free protective layer pad base.

TECHNICAL SPECIFICATIONS	
<b>Complete Unit</b>	370mm H x 360mm W x 125mm D
<b>Sleeve Unit (x3)</b>	330mm H x 35mm W x 20mm D
<b>Expanded Sleeve</b>	Min 30mm - Max 300mm
<b>Box External</b>	370mm H x 360mm W x 125mm D
<b>Box Internal</b>	340mm H x 350mm W x 120mm D
<b>Carrying Load</b>	4.5KG



# 6 Bottle Box

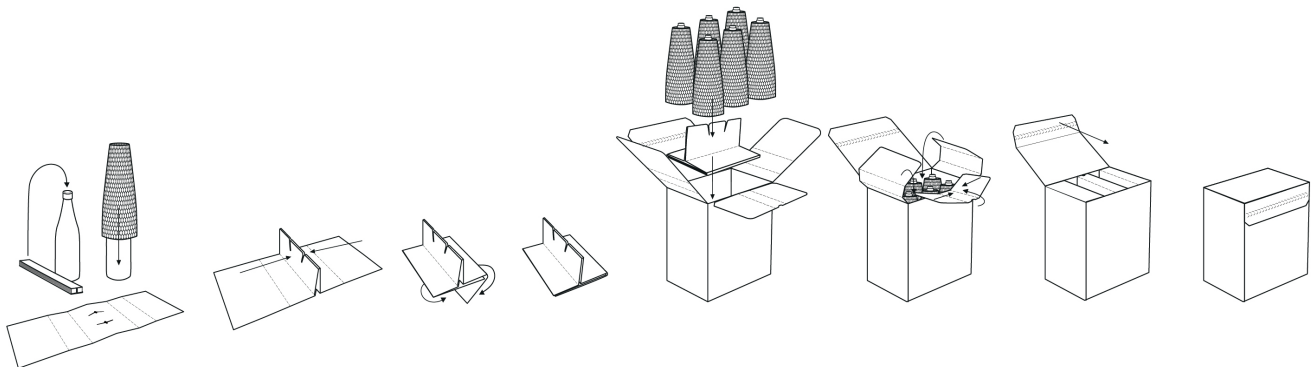
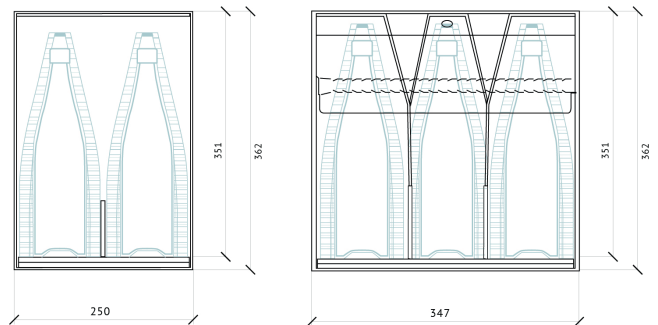
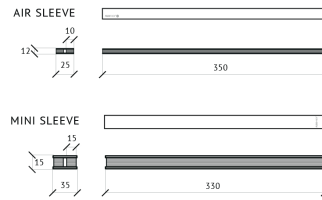
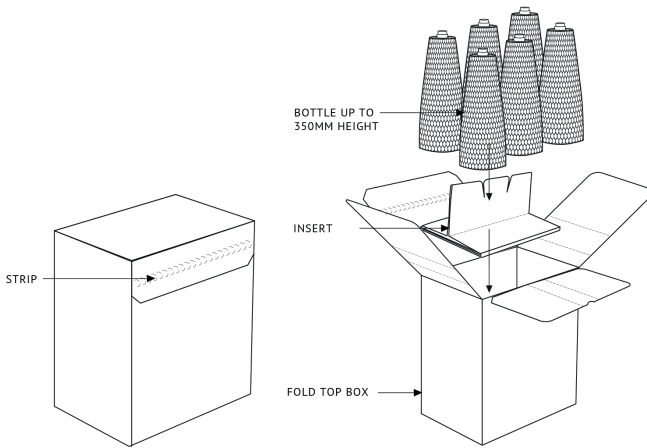
**A self-sealing box (including separate base insert) designed for the safe shipping of 6 bottles, each individually wrapped in Flexi-Hex.**

## DETAILS

- Fits bottles of all shapes and sizes up to a maximum of 350mm in height
- Made from high-quality paper
- 100% plastic-free, kerbside recyclable, home compostable and biodegradable
- Self-sealing box with crash-lock base so no tape required
- Tear strip for easy opening
- Quick and easy to assemble

- The base insert creates a compartment for each individual bottle to prevent movement and reduce breakage rates
- Compact to store and lightweight for cost-effective shipping and storage
- Can be customised with company branding
- An aesthetic e-commerce solution which adds brand value and improves the customer unboxing experience
- This solution also requires 6 Flexi-Hex Mini Sleeves

TECHNICAL SPECIFICATIONS	
<b>Box Dimensions</b>	375mm H x 250mm W x 350mm D
<b>Mini Sleeve Unit</b>	330mm L x 35mm W x 15mm D





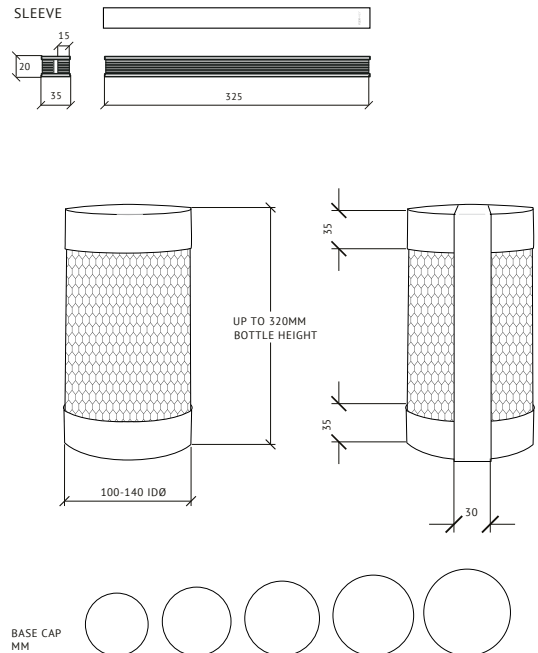
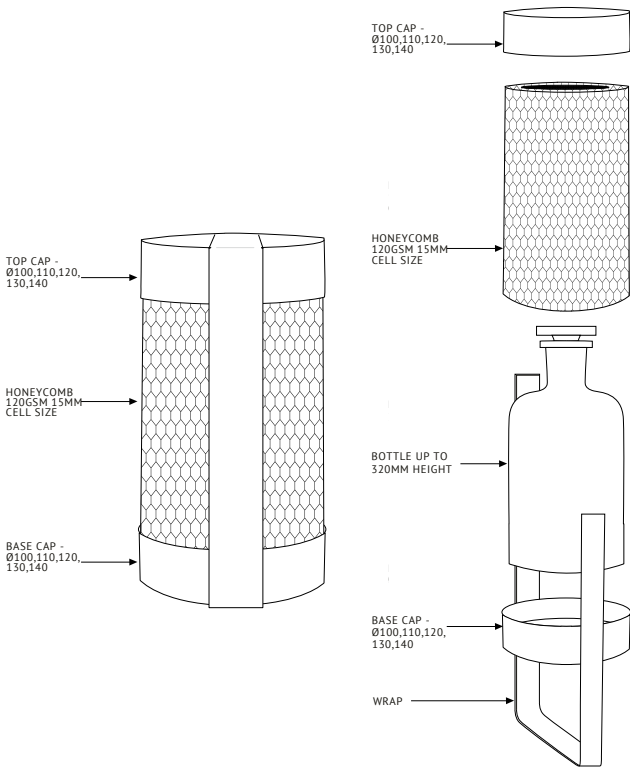
# Drum Capsule

**A plastic-free bottle packaging kit that consists of a Flexi-Hex expanding honeycomb sleeve, two caps and a card wrap.**

Caps come in five sizes, however, we only stock 3 sizes, see pricelist - we may be able to source other cap sizes but this is dependant on the quantity ordered.

Fits shorter and wider bottles up to a maximum of 320mm.

TECHNICAL SPECIFICATIONS	
<b>Complete Unit</b>	320mm H x Cap Size Dia
<b>Sleeve Unit</b>	330mm H x 35mm W x 20mm D
<b>Expanded Sleeve</b>	Min 30mm - Max 300mm
<b>Cap Sizes</b>	100/110/120/130/140 Dia x 35mm H
<b>Wrap 280gsm</b>	35mm W x 900mm L
<b>Carrying Load</b>	1.5KG



# Slender Capsule

The Slender capsule is made of three components. A Flexi-Hex sleeve which stylishly protects the bottle from impact and damage, a cap to secure the base and a customisable wrap holding the capsule firmly together.

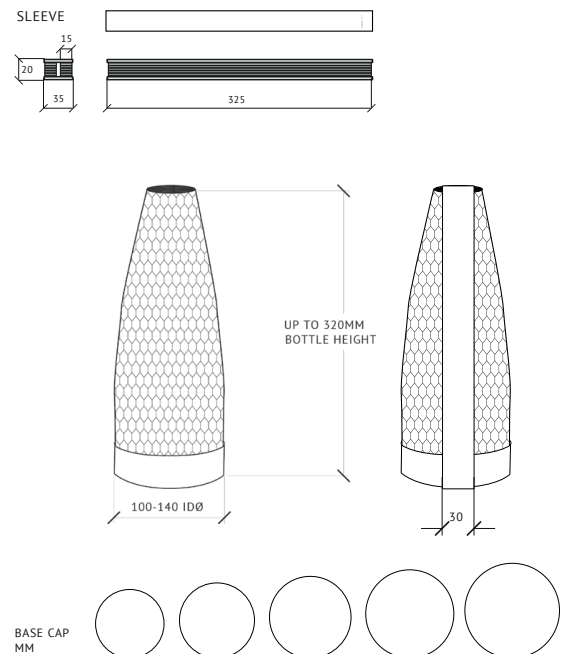
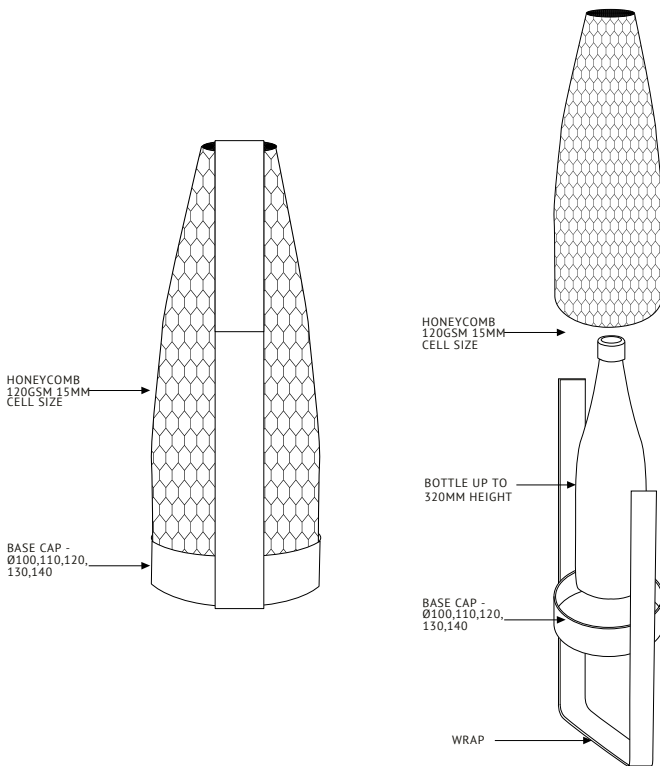
Ideal for the delivery of higher value bottles or gifts, this is a premium packaging solution. The Slender capsule can also be inserted into a pinch top or alternative postal box.

Caps come in five sizes, however, we only stock 3 sizes, see pricelist - we may be able to source other cap sizes but this is dependant on the quantity ordered.

Fits bottles of all shapes and sizes to maximum of 320mm.

## TECHNICAL SPECIFICATIONS

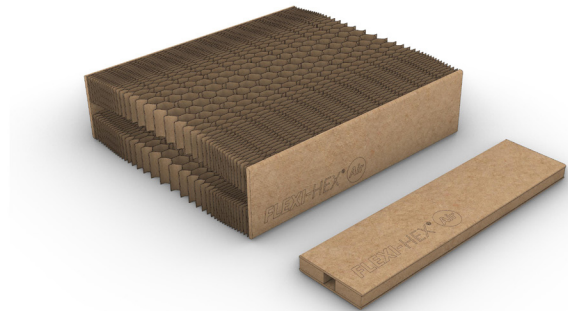
<b>Complete Unit</b>	320mm H x Cap Size Dia
<b>Sleeve Unit</b>	330mm H x 35mm W x 20mm D
<b>Expanded Sleeve</b>	Min 30mm - Max 300mm
<b>Cap Sizes</b>	100/110/120/130/140 Dia x 35mm H
<b>Wrap 280gsm</b>	35mm W x 900mm L
<b>Carrying Load</b>	1.5KG





A lightweight honeycomb sleeve made from high-quality tissue paper that helps protect small fragile items in transit.

Renowned for its strength, the innovative hexagonal cell structure not only provides an incredible layer of protection; it also creates a flexible sleeve that is ideal for cosmetic bottles, electronic devices and glassware.

Please contact us for pricing and more information.



ICON	NAME	DIMENSIONS	DESCRIPTION
	Flexi-Hex Air 10cm	Length: 10cm Expands to: 25cm	Designed to protect dropper bottles, alcohol miniatures, ceramics and electronic accessories. Use with your own box or one of our Flexi-Hex boxes.
	Flexi-Hex Air 20cm	Length: 20cm Expands to: 25cm	Designed to protect mobile phones, cosmetic products, candles and homeware.
	Flexi-Hex Air 25cm	Length: 25cm Expands to: 25cm	Designed to protect iPads and tablets, cosmetic products, ceramics and glassware.
	Flexi-Hex Air 35cm	Length: 35cm Expands to: 35cm	Designed to protect laptops, soap bottles, plates and glassware.

Using Flexi-Hex Air 10cm



Using Flexi-Hex Air 25cm



# Fold Top Box

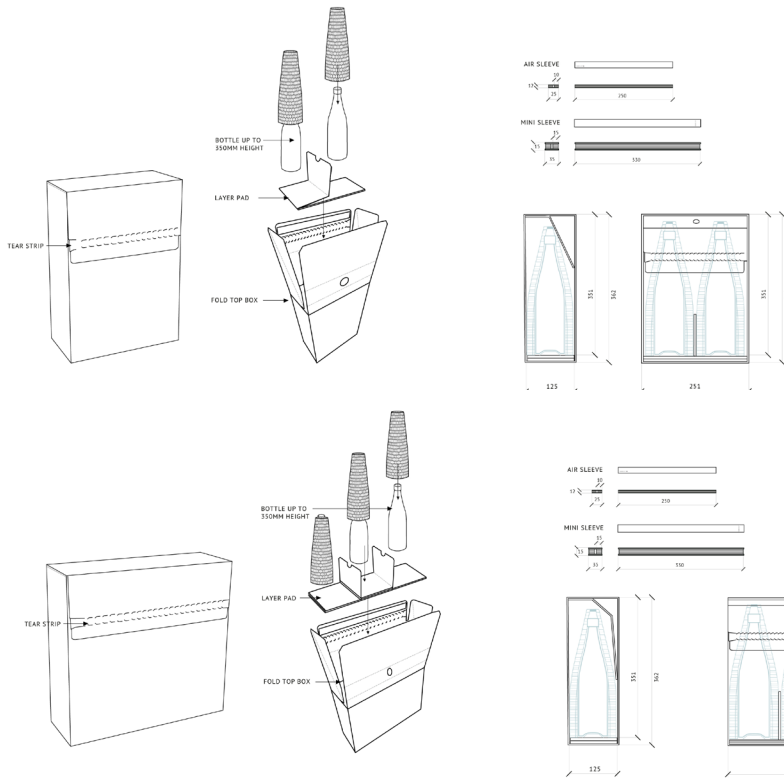
The newest invention from Flexi-Hex, a square-shaped box for shipping bottles.

This can be used with slender sleeve (see page 9) and the Drum Capsule (see page 8)

We recommend using the Flexi-Hex Mini Sleeve for naked bottles and the Flexi-Hex Air Sleeve for pre-boxed bottles.

Available in Single, Double and Triple Bottle Box Sizes. Please contact us for more information.

- Fits bottles of all shapes and sizes up to a maximum of 350mm in height, including pre-boxed bottles
- Self-sealing with crash-lock base so no tape required
- Separate layer pad which slots into bottom of box for extra protection
- Unique fold which tucks over bottles to prevent movement within the box and can be adjusted to fit wider bottles and pre-boxed bottles
- Tear strip for easy opening
- Compact to store and lightweight for cost-effective shipping and storage
- Can be customised with company branding



Using flexi-hex air wrap





**Windmill  
Printing™**

mail@windmillprint.com | +44 1224 828000 | windmillprint.com

